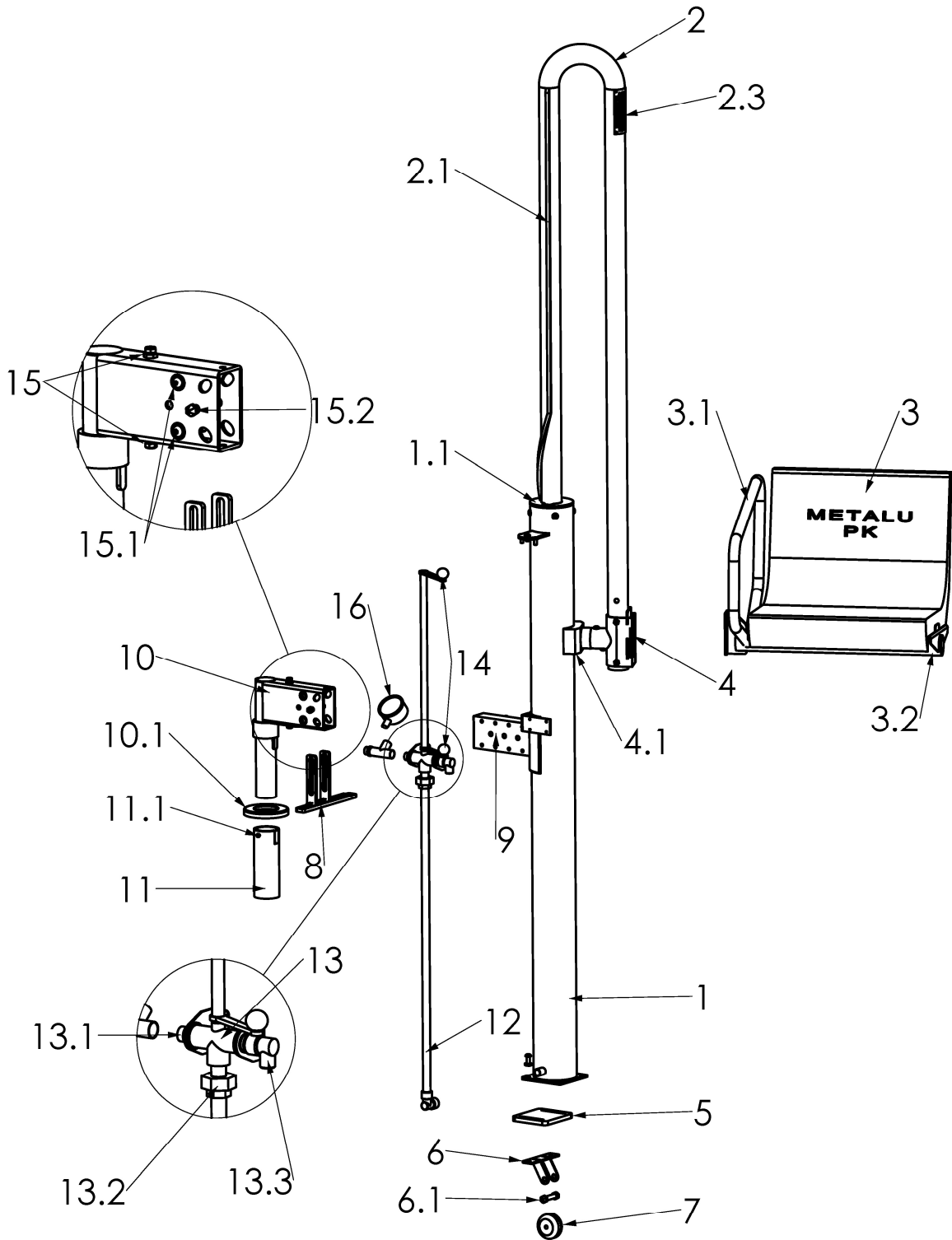


METALU PK PARTS BREAKDOWN



LIST OF PARTS

1. Cylinder.
- 1.1 Rosette guide.
2. Structure.
- 2.1 Guide rod.
- 2.2 Name plate.
3. Seat.
- 3.1 Armrest.
- 3.2 Seat structure.
4. Seat bracket.
- 4.1 Structure bracket.
5. Lower support.
6. Wheel fork.
- 6.1 Wheel axle screw.
7. Wheel.
8. Stabilising part.
9. Lift support attachment.
10. Lift support.
- 10.1 Decorative flange.
11. Anchoring bushing.
- 11.1 Screw for ground connection.
12. Water line.
13. Three-way valve.
- 13.1 Water connection.
- 13.2 Link.
- 13.3 Water outlet.
14. Valve operating controls.
15. Levelling screws.
- 15.1 Fixing screws.
- 15.2 Foot support screw.
16. Pressure gauge.