

# METALU 600

FIXED-REMOVABLE BATTERY POOL LIFT



METALUGUARANTEE

3 YEARS The lift

5 YEARS Spare



IDEAL FOR PLACES WITH INSUFFICIENT WATER PRESSURE OR WHERE PRE-INSTALLING A WATER SUPPLY NEEDS TO BE AVOID ED.

## FEATURES

**User autonomous.** The user need only press the handset control buttons, which can be done from in or out of the water.

**Easy installation.** Installation of the METALU 600 only requires the base to be anchored to the floor.

**Temporary fixed installation.** It can be installed at the start of bathing season and removed when no longer required. The seat can also be removed.

**Made from Aisi 316L stainless steel** with a powder coating for protection.

**Officially approved for lifting up to 120 kg or 150 kg.**

**Includes:** Footrest and folding armrest.



## ELECTRICAL MECHANISM

24V electric actuator / Control box / Handset Two batteries  
Battery charger / IP65 protection.



STAINLESS  
AISI 316L.



Seat travel  
distance  
1,10 m



Net  
85 kg



Inc.  
packaging  
170 kg



Ready for  
use



PACKAGING  
123 x 82 x 147 cm



24/48h.  
FACTORY DISPATCH



## TO BEAR IN MIND



**BATTERY DURATION**  
25 / 30

When used properly, each battery should last for approximately 25-30 cycles. **Two-year battery guarantee.**



**COVER**

Protective cover available (optional).



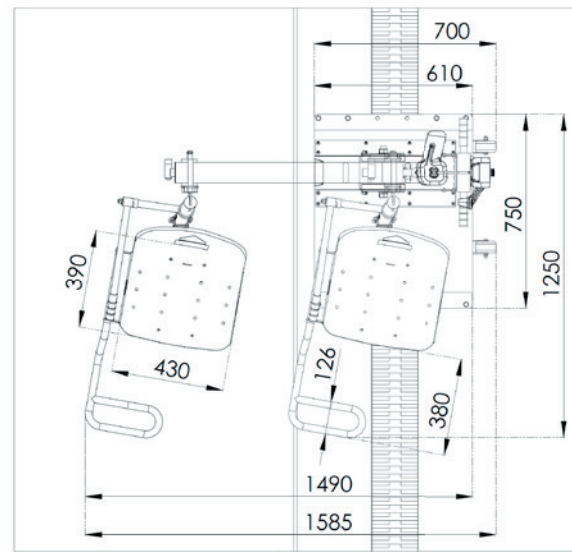
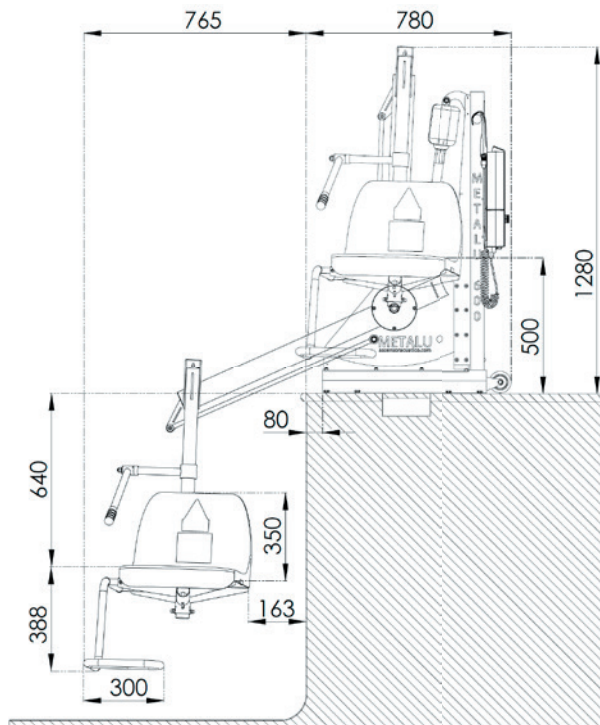
**TWO BATTERIES**

It comes with two batteries so that one can be charging while the other is in use.

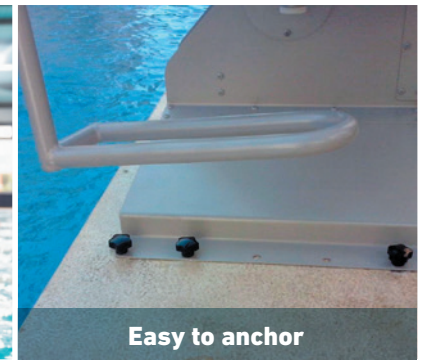


**4 / 5 HOURS**

The batteries take 4-5 hours to charge.



Measurements in mm.



**Easy to anchor**



**Portable**



**User autonomous**



**Removable seat**