

METALU B-2

FIXED-REMOVABLE HYDRAULIC POOL LIFT



METALUGUARANTEE

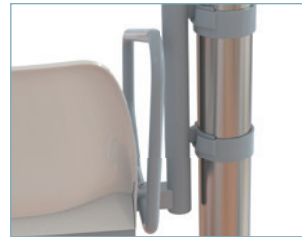
3 YEARS The lift

5 YEARS Spare

THE MOST STABLE HYDRAULIC LIFT IN THE MARKET.

The hand rail and five anchor points provide a feeling of maximum safety to the user.

It is temporarily installed for bathing season and can be removed for storage during the winter.



FEATURES

User autonomous. It can be operated from both in and out of the pool thanks to a dual control system.

Temporary fixed installation. It is designed to be installed for bathing season and can be removed for storage during the winter.

Officially approved for lifting up to 150 kg. A water supply with a pressure of between 3.5 and 5.5 bar is necessary.

Left rotation option. Upon request.

Valid for any pool. It can be adjusted to various positions, and both the lift and the seat height can be set to numerous positions.



STAINLESS
AISI 316L.



170°

Rotation
radius



700 m/m

Rotation
angle



1,06 m

Seat travel
distance



150 kg

Lift
capacity



3,5 bar

Minimum
pressure



48 kg

Net



64 kg

Inc.
packaging



CE





TO BEAR IN MIND



Minimum water depth required 1.20 m.

MINIMUM 1.20 M



The hand rail can be shortened by up to 50 cm.

UP TO 50 CM



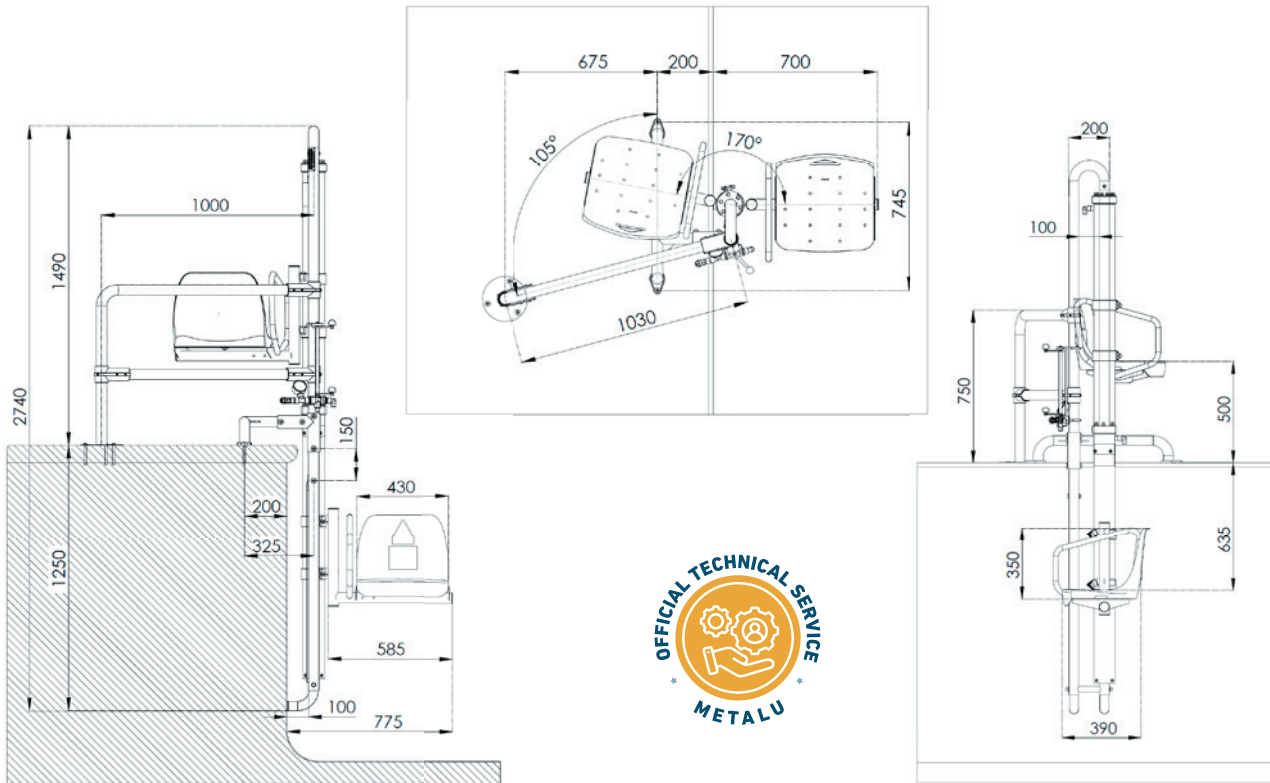
If the support leg cannot be anchored, it can NOT be used to lift loads in excess of 120 kg.

>120 KG

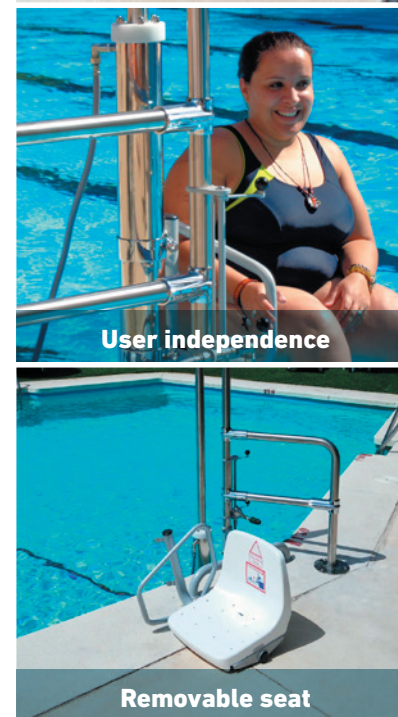


The seat height can be freely adjusted.

FREELY ADJUSTABLE



Water intake



User independence



Removable seat



Measurements in mm.